



The DM3610 is a compact, overhead dimensioning unit that automatically measures the length, width, and height of packages as they are transported on a conveyor. The self-contained dimensioner is designed for simple installation and enables a range of applications across multiple markets including parcel, warehousing & distribution. The DM3610 is certified in Legal-For-Trade applications and its highly accurate measurements make it the perfect solution for spatial management applications. In the 2-head configuration, the DM3610 can provide dimensions for irregular as well as cuboidal objects. Used in conjunction with barcode scanners and scales, the DM3610 improves operations for systems such as AS/RS, trailer cubing, manifesting and revenue recovery.



## HIGHLIGHTS

### Accurate dimensioning at high speed:

- NTEP certified accuracy of  $\pm 0.2''$  for length and width and  $\pm 0.1''$  for height at belt speeds up to 620 fpm
- OIML certified accuracy  $\pm 5$  mm for length, width and height at belt speeds up to 3.1 m/s

### "Plug-and-Play" functionality:

- Simple parameter upload simplifies field replacement

### Reliability:

- IP65 rating
- $-10^{\circ}$ - $50^{\circ}$  C ( $14^{\circ}$ - $122^{\circ}$  F) operating temperature
- Industrial M12 connectors

## APPLICATIONS

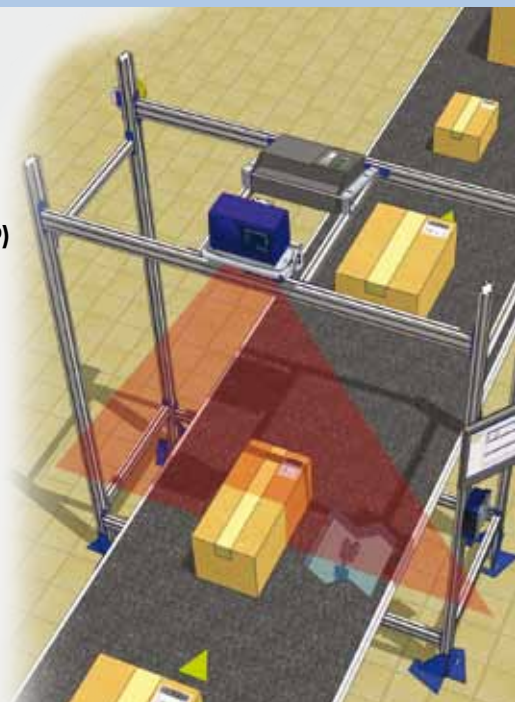
Typical DM3610 Dimensioning solutions address these industries and applications:

### Courier, Express & Parcel (CEP)

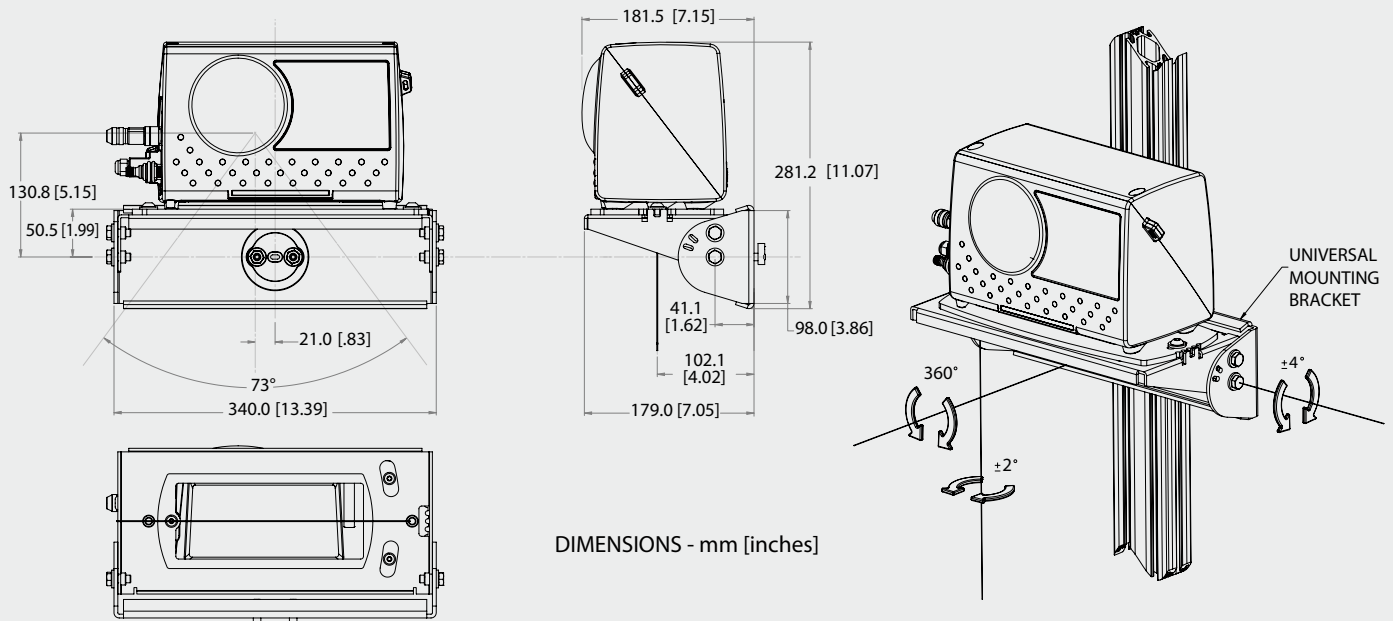
- Revenue recovery

### Warehousing & Distribution

- AS/RS space allocation
- Trailer load planning
- Automated manifesting systems



## MECHANICAL DRAWINGS



## SPECIFICATIONS

CONFIGURATION	DM3610 1-HEAD SOLUTION	DM3610 2-HEAD SOLUTION
Material flow	Singulated Cuboidal Gap ≥20mm [.08"]	Singulated Irregular Gap ≥25mm [1"]
Dimensioning Accuracy	±0.2" for length and width, ±0.1" for height ± 5 mm for length, width and height	
Conveyor Speeds	Up to 3.1 m/s [620 fpm]	
Box Size (maximum)	L 2500 mm x W 1200 mm x H 900 mm [98" x 48" x 36"]	
Box Size (minimum)	L 50 mm x W 50 mm x H 50 mm [2.4" x 2.4" x 2.4"]	
Laser Type	Visible laser diode (red) 660nm, CDRH Class II, IEC 60825-1 Class 3R	
Temperature	Operating: -10° to 50° C [14° to 122° F] Storage: -20° to +70° C [-4° to +158° F]	
Relative Humidity	10-90% non-condensing	
Power Requirement	24VDC +/- 10%	
Power Consumption	19 W Average (75 W Max) per Head	
Enclosure	IP 65, Aluminum	
Status Indicators	LEDs - STATUS, TRIGGER, TACH, READ, RX/TX, NETWORK, DIMENSION STATUS INDICATORS	
Communication Interfaces	Ethernet (TCP/IP), RS232/ RS422/RS485	
Inputs	(1) Tachometer, (1) Trigger, (2) SW programmable general purpose	
Programming	On board HTML web server interface	
Service Options	Installation services and on-site training	
Warranty	2-year limited, parts and labor	
Compliances	UL, cUL, FCC (Class A) CE	
Legal for Trade Certifications	OIML/MID, NCWM/NTEP*, Measurement Canada* *2-HD solution NTEP and MC certifications pending	